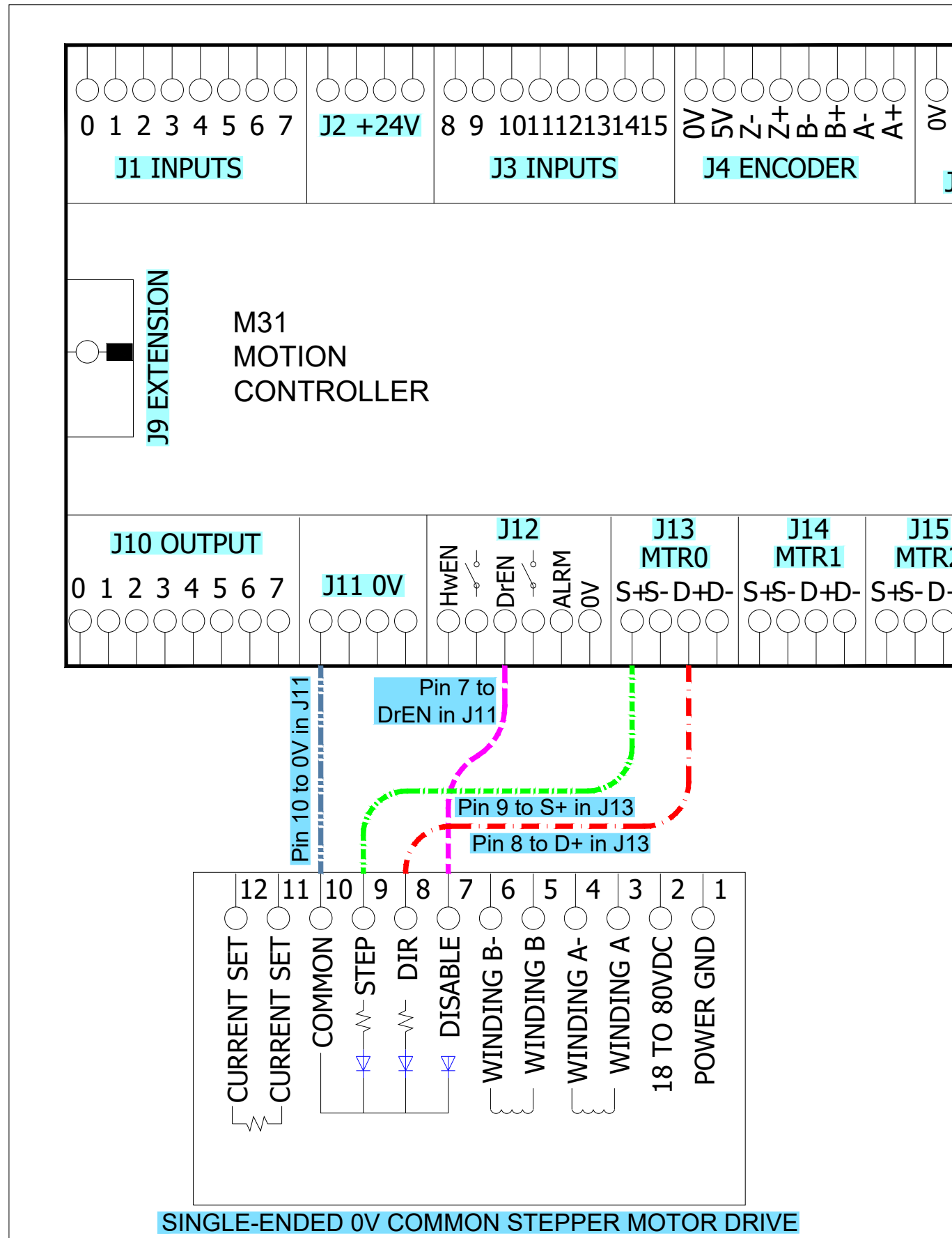
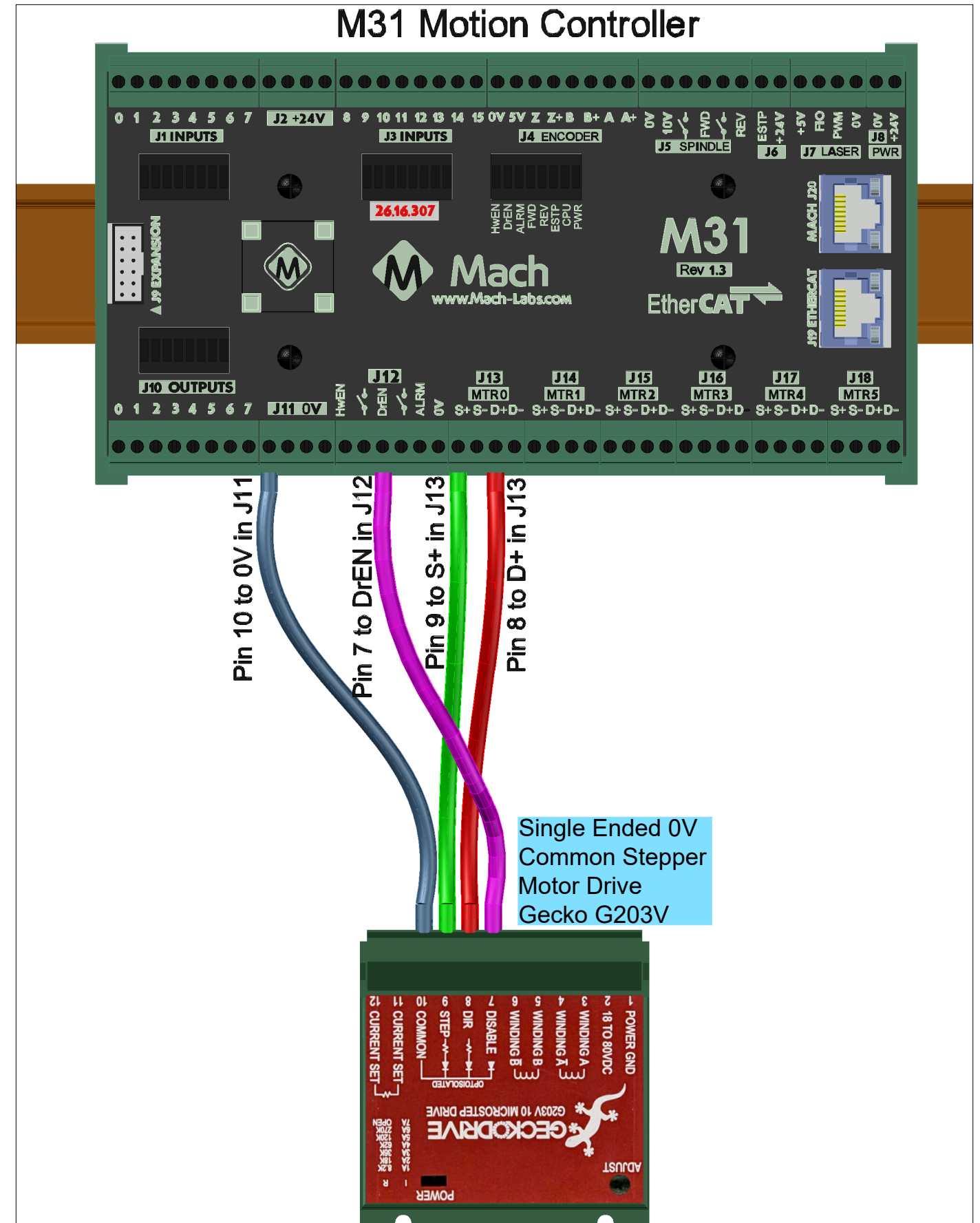


General Wiring Diagram



Wiring Sample M31 Motion Controller



Date		Developed by:		Checked by:		Approved by:	
06/18/2026		A.VALIEV		A.MONING		C.ELDRIDGE	
A.	Project	Phase	Doc. type	Progr.	Rev.		
M	0	0	0	0	6	K	C S D 0 0 1 A 1
M31 to Single-Ended 0V Common Drive Wiring Diagram and 3D View							
CAD file No. M-00006-K-CSD-001-A1							